

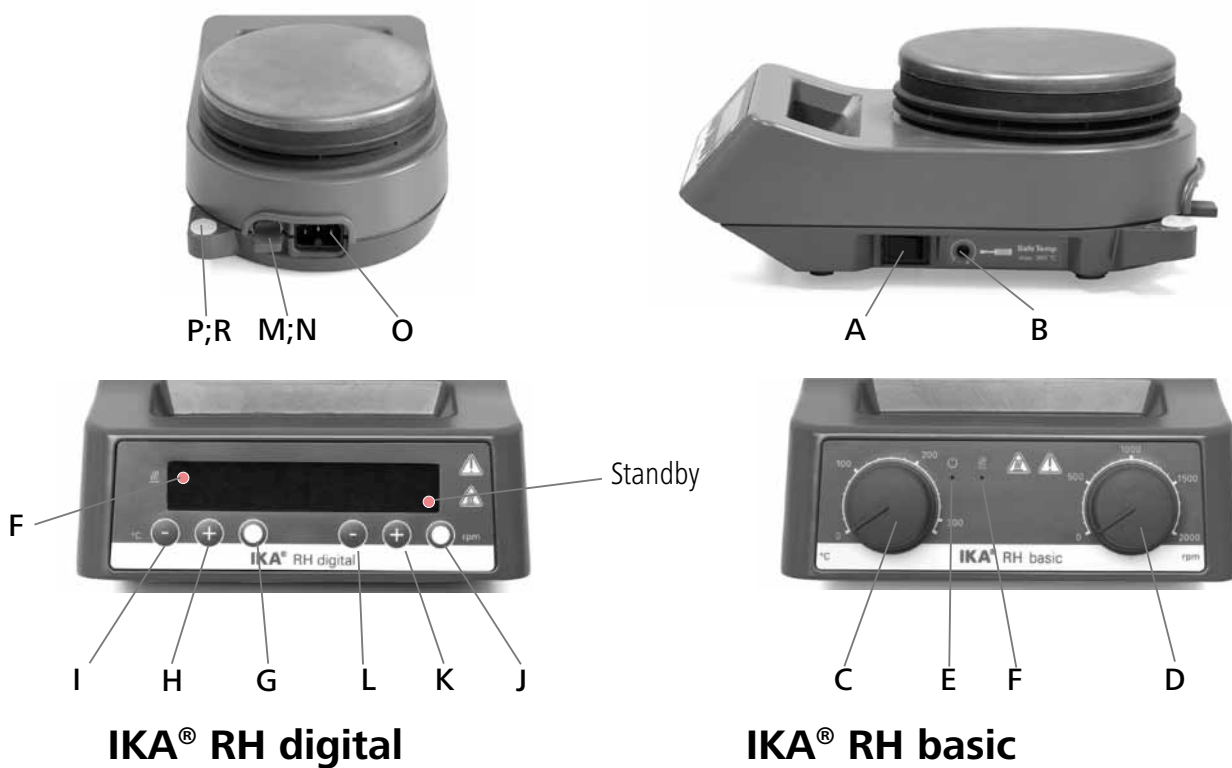
IKA® RH basic IKA® RH digital



Operating instructions	EN	02
使用说明	CN	09
取扱説明書	JP	16
기기 설치 및 구동 매뉴얼	KR	23

	Page		
Contents	02	Stirring function	06
Control elements	02	Setting the safety temperature limit	06
Warranty	08	Heating function	06
Explication of warning symbols	03	Controlling the Medium temperature limit via Contact Thermometer	06
Accessories	03		
Safety instructions	04	Assembling the stand	07
Unpacking	05	Maintenance and Cleaning	07
Correct use	05	Error Codes (RH digital)	08
Commissioning	05	Technical data	08
Setting the operation mode	05		

Control elements



- A Main switch
- B Adjustable safety circuit
- Variante basic**
- C Rotary knob, heater
- D Rotary knob, motor
- E LED power
- F LED heating plate
- Variante digital**
- G Button heater On/Off
- H Button temperature "+"
- I Button temperature "-"
- J Button motor On/Off
- K Button motor "+"
- L Button motor "-"
- M Contact thermometer jack
- N Contact plug
- O Power socket
- P Threaded hole for stand
- R Threaded plug

Warranty

In accordance with IKA® warranty conditions, the warranty period is 24 months. For claims under the warranty please contact your local dealer. You may also send the machine directly to our factory, enclosing the delivery invoice and giving reasons for the claim. You will be liable for freight costs.

The warranty does not cover worn out parts, nor does it apply to faults resulting from improper use, insufficient care or maintenance not carried out in accordance with the instructions in this operating manual.

Explication of warning symbols



General hazard.



This symbol identifies information **that is of vital importance for protecting your health and safety**. Disregarding this information may lead to health impairment and injuries.



This symbol identifies information **that is of importance for the technically correct functioning of the system**.

Disregarding this information may result in damage to the instrument or to system components.



This symbol indicates information **which is important for proper use and ensuring that the operations of the instrument are performed efficiently**.

Failure to observe this information may result in inaccurate results.



Attention - Note the hazards of magnetism!



Danger - Reference to exposure to a hot surface!

Accessories

- Stirring bars See catalog
- Bath attachments See catalog
- Synthesis Attachments See catalog

- RS 1 Set of stirring bars
- RSE PTFE-stirring bar remover
- H 102.1 Protection handle
- H 16 V Support rod
- H 16.1 Extension
- H 38 Holding rod
- H 44 Boss head clamp
- ETS-D Contact thermometer
- H 102 Protective cover (RH basic)
- H 103 Protective cover (RH digital)

See more accessories on www.ika.com

Safety instructions

- **Read the operation instructions completely before starting up and follow the safety instructions.**
- Keep the operation instructions in a place where they can be accessed by everyone.

General information

- Ensure that only trained staff work with the appliance.
- Follow the safety instructions, guidelines, occupational health and safety and accident prevention regulations.
- Socket must be earthed (protective ground contact).



ATTENTION

• Attention - Magnetism!

Effects of the magnetic field have to be taken into account (e.g. data storage media, cardiac pacemakers ...)



DANGER

• Risk of burns!

Exercise caution when touching the housing parts and the heating plate. The heating plate can reach temperatures in excess of 320 °C. Pay attention to the residual heat after switching off.

The device may only be transported in cold condition!

Device design:



DANGER

- **Do not** operate the appliance in explosive atmospheres, with hazardous substances or under water.

- Set up the appliance in a spacious area on an even, stable, clean, non-slip, dry and fireproof surface.
- The feet of the appliance must be clean and undamaged.
- Ensure that the mains power supply cable does not touch the heating plate.
- Check the appliance and accessories for damage before each use. Do not use damaged components.

Permissible medium / contaminants / side reactions



WARNING

• Attention!

Only process and heat media that has a flash point higher than the adjusted safe temperature limit that has been set (100 to 360 °C).

The safe temperature limit must always be set to at least 25 °C lower than the fire point of the media used.



WARNING

- Beware of hazards due to:

- flammable materials
- combustible media with a low boiling temperature
- glass breakage
- incorrect container size
- overfilling of media
- unsafe condition of container.
- Process pathogenic materials only in closed vessels under a suitable fume hood. Please contact **IKA**® if you have any questions.



DANGER

- Only process media that will not react dangerously to the extra energy produced through processing. This also applies to any extra energy produced in other ways, e.g. through light irradiation.

- The heating plate can heat up due to the action of the drive magnets at high motor speeds, even if the heater is not operational.
- Please consider any possible contaminations and unwanted chemical reactions.
- It may be possible for wear debris from rotating accessory parts to reach the material being processed.
- When using PTFE-coated magnetic bars, the following has to be noted: *Chemical reactions of PTFE occur in contact with molten or solute alkali metals and alkaline earth metals, as well as with fine powders of metals in groups 2 and 3 of the periodic system*

at temperatures above 300 °C - 400 °C. Only elementary fluorine, chlorotrifluoride and alkali metals attack it; halogenated hydrocarbons have a reversible swelling effect.

(Source: Römpps Chemie-Lexikon and "Ulmann", Volume 19)

Experimental procedures



WARNING

- Wear your personal protective equipment in accordance with the hazard category of the media to be processed. There may be a risk from:

- splashing and evaporation of liquids,
- ejection of parts,
- release of toxic or combustible gases.
- Reduce the speed if:
 - the medium splashes out of the vessel,
 - the appliance is not running smoothly,
 - the container moves on the heating plate.

Accessories

- Safe operation is only guaranteed with the accessories described in the "Accessories" chapter.
- Always disconnect the plug before attaching accessories.
- Observe the operating instructions of the accessories.
- Ensure that the external temperature sensor (ETS-D...) is inserted in the media to a depth of at least 20 mm.
- The ETS-D external temperature sensor must always be inserted in the media when connected.
- Accessories must be securely attached to the device and cannot come off by themselves. The centre of gravity of the assembly must lie within the surface on which it is set up.

Power supply / Switching off

- The voltage stated on the type plate must correspond to the mains voltage.
- The socket for the mains cord must be easily accessible.
- The appliance can only be disconnected from the mains supply by pulling out the mains plug or the connector plug.

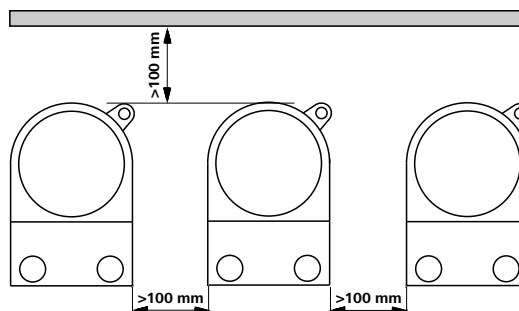


WARNING

- The device will automatically restart in mode B following any interruption to the power supply. (RH digital)

For protection of the equipment

- The appliance may only be opened by experts.
- Do not cover the device, even partially e.g. with metallic plates or film. This may result in overheating.
- Protect the appliance and accessories from bumps and impacts.
- Keep base plate clean.
- Observe minimum distances between devices. Between device and wall should be 100mm (min), above the assembly should be 800mm (min).



Unpacking

• Unpacking

- Please unpack the device carefully
- In the case of any damage a report must be sent immediately (post, rail or forwarder).

• Contents of package

- Magnetic stirrer with heating RH basic or RH digital
- Mains cable
- Screwdriver
- H102 protective cover (RHb)
- Stirring bar 20, 30 and 40 mm
- Operating Instructions
- H 102.1 Protection handle
- H103 protective cover (RHd)

Correct use

• Use

- For mixing and/or heating liquids.

• Range of use (only indoors)

- Laboratories - Schools
- Pharmacies - Universities

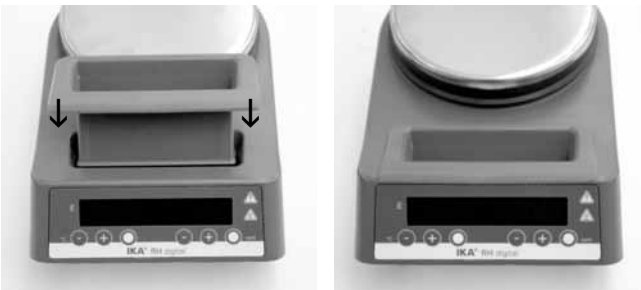
This device is suitable for use in all areas except:

- Residential areas

- Areas that are connected directly to a low-voltage supply network that also supplies residential areas.

The safety of the user cannot be guaranteed if: the appliance is operated with accessories that are not supplied or recommended by the manufacturer, the appliance is operated improperly according to the manufacturer's specifications or the appliance or printed circuit board are modified by third parties.

Commissioning



Assembly of **H 102.1** protection handle

Protection handle should be assembled in place for safety!

Please note that slight residual odor could be smelt during first-heating of the heater.

We suggest to operate the unit under a fume hood during the first use.

RH basic

Observe the ambient conditions (temperature, humidity, etc.) listed under Technical Data.

Make sure the contact plug (**N**) is plugged in.

Before switching the device on, turn the two rotary knobs on the device to the off position.

Once these conditions are satisfied, and the mains plug has been plugged in, the device is ready to operate.



Please follow above directions to ensure safe operation and prevent device from suffering damage.

The device is switched on and off using the main switch (**A**) on the right hand side.

After the device has been switched on using the main switch (**A**) the "power" LED (**E**) lights up; this indicates standby status.

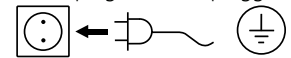
The device is now ready to operate. If the heating function is switched on, the LED (**F**) lights up, indicating that the heating process is active.

RH digital

Observe the ambient conditions (temperature, humidity, etc.) listed under Technical Data.

Make sure the contact plug (**N**) is plugged in.

Once this condition is satisfied, and the mains plug has been plugged in, the device is ready to operate.



Please follow above directions to ensure safe operation and prevent device from suffering damage.

The device is switched on and off using the main switch (**A**) on the right hand side.

A few seconds after the device has been switched on, the display will show all display segments, the software version, operating mode, target temperature and speed.

The device is now ready for operation.

Setting the operation mode

RH digital

Operating the device in mode A or B

Mode A

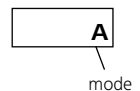
All settings will be stored if the device is switched off or disconnected from the power supply. The agitation and heating functions will be set to OFF when the device is powered on.

Mode B

All settings will be stored if the device is switched off or disconnected from the power supply. The agitation and heating functions will be set to ON or OFF when the device is powered on, depending on the previous status of the device.

Factory setting: mode A

The mode selected will be shown on the display when the device is started up.



Change the mode

- ☞ Move device switch (A) to the OFF position
- ☞ Press and hold button (G and J)
- ☞ Move device switch (A) to the ON position
- ☞ Release button (G and J) until mode changed

ⓘ ⇒ The set value is indicated on the display **b**

Stirring function

The stirring bar, whose max. length should not exceed 80mm, is driven via permanent magnet. The permanent magnet is directly attached to the output shaft of the motor.

The actual speed depends on the load and the voltage. Please note that fluctuations within the permissible tolerance of the mains voltage, and process-based changes to the viscosity of the medium being stirred, can also cause minor fluctuations in the speed.

RH basic

The motor speed is set using the rotary knob for the motor **(D)**. The speed setting corresponds approximately to the value in rpm on the speed scale. Turning the rotary knob **(D)** clockwise to the stop sets the motor to run at maximum speed.

RH digital

The stirring function is started by pressing the button **(J)**. The speed can be set within the range 0 to 2000 rpm in increments of 50 rpm by pressing the buttons **(L)** or **(K)**. The current speed setting is shown on the display; this is the speed at which the device operates.

Setting the safety temperature limit

The max. attainable heating plate temperature is restricted to 360°C by an adjustable safety temperature limit. Once this limit has been attained, the device stops heating.



WARNING

The safe temperature limit must always be set at least 25 °C lower than the flash point of the media to be processed!

The temperature set for the heating plate will be at least 25 °C lower than the safe temperature limit.

Factory setting: about 360 °C.



Setting the safety temperature limit

After switching on the device, the safety temperature limit **(B)** can be adjusted using a screwdriver.

Do not turn the setting screw beyond the clockwise or anticlockwise stop. This will cause irreparable damage to the potentiometer.

- Using the screwdriver supplied, turn the "Safe Temp" setting screw **(B)** to the clockwise stop.
- Use the temperature rotary knob **(C)** [RH basic] or with the button **(H or I)** [RH digital] to set the target temperature to the desired "Safe Temp" and wait until this is attained, at which point the "Heating" LED **(F)** goes out.
- Turn the "Safe Temp" setting screw **(B)** slowly anticlockwise until the heating function switches off and the indicator lamp **(E)** blinking (RH basic) or the display shows E24 (RH digital)...
- Then, turn the "Safe Temp" setting screw **(B)** slightly clockwise. Switch the device off and on again at the main switch **(A)**. After this, the device is ready to operate.

Heating function

The unit has a built-in 600 w heating plate with a stainless steel surface. The heating plate is kept at a constant temperature by a control circuit. Two temperature sensors are built into the heating plate.

RH basic

The heating plate temperature is set using the "Temp" rotary knob **(C)** with its associated scale. The scale values range from approx. room temperature to max. 320 °C. When the setting is **0** the device heating does not switch on.

When the heating function is activated, the "Heating" LED **(F)** lights up.

RH digital

The heating function is started by pressing the button **(G)**. The heating plate temperature can be set within the range 50°C to 320°C in 5 °C increments by pressing the buttons **(I)** or **(H)**. The current temperature setting is shown on display and device operates at this temperature.

Controlling the Medium temperature limit via Contact Thermometer

The preferable method for controlling the average temperature is with the ETS-D or contact thermometer. Adjust set point temperature. After a brief heat-up period, you will reach set temp. This method provides practically no temperature drift and only minor fluctuations of temperature.

In addition to precise control function, the adjustable "MAX-TEMP" function makes the ETS-D a temperature limiter that has a direct effect on the average temperature. When this "MAXTEMP" is exceeded, because of a defect in the control circuit, "safe temp" or "set point temp" on RH, the ETS-D immediately turns off the separate circuit of RH.

The stirring function will continue to run at the speed that was set before the malfunction.

A 6-pin jack is located on the rear side of the instrument for connecting the ETS-D, contact thermometer or contact plug. The electronics of the instrument returns a test current which must flow through connector pins 3 and 5 for the heating plate to heat up.

Safety contact thermometers

acc. to DIN 12 878 class 2 or acc. Gerstel are connected with a three-wire cable, the test current flows through the contact thermometer.

Safety function:

If the test current is interrupted because of breakage of contact thermometer or unplugging of thermometer, the heating cuts off.

Contact thermometer without safety circuit

Acc. to DIN 12 878 class 0. The instrument only heats if the test current circuit is closed by an electrical connection of the plug pins 3 and 5.

2-wire connecting cables:

Connect plug pins 3 and 5 of the instrument plug.

3-wire connecting cables:

The test current circuit can also be produced in the terminal head of the contact thermometer (connect plug pins 2 and 3)-Safety Advantage!

A 3-wire cable with the required bridge is an available accessory.

Settings

For the detailed instructions for settings and limit values, please refer to the operating instructions for the instrument you are connecting.

The desired average temperature can be adjusted on the ETS-D or contact thermometer. In addition, a "MAXTEMP" can be set for the ETS-D. A maximum average temperature can be set on the ETS-D to avoid malfunctions in combination with the RH. The required surface temperature of the heating plate can be selected with the temperature rotary knob or button.

Adjusting the temperature of device to the maximum adjustable temperature will result in the fastest possible heating time, but the average temperature may fluctuate to values above the set-point temperature on the contact thermometer. By adjusting the temperature rotary knob or button to approximately twice the set-point value of contact thermometer (with a set-point of 60°C, the temperature of device would be set to 120°C), you will reach a good compromise between a fast heating time and overshooting the set point.

If you adjust the temperature of device to exactly the set-point temperature, the medium will not reach the set-point temperature because some loss of the heat will always occur between the heating plate and the medium.

The maximum heating plate temperature can be adjusted with the "Safe Temp" screw.

Assembling the stand

- Remove threaded plug (R)
- Remove the protective cap from the support rod
- Put the washer between housing and nut
- Screw the support rod onto the device by hand until the end stop is reached
- Use an Avf 17 wrench to tighten the nut
- Accessories should be attached using boss head clamps.



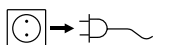
Note:

For bath attachments with diameters greater than 180 mm, use the support rod H 16 V with the extension H 16.1.

Maintenance and Cleaning

The device is maintenance-free. It is subject only to the natural wear and tear of components and their statistical failure rate.

Cleaning



Disconnect main plug prior to cleaning!

Only use cleaning agents recommended by IKA®.

Contamination Cleaning agents

Dyes	isopropyl alcohol
Building materials	water containing tenside/isopropyl alcohol
Cosmetics	water containing tenside/isopropyl alcohol
Foodstuffs	water containing tenside
Fuels	water containing tenside

- When cleaning, do not allow moisture to get into the unit.
- Wear the proper protective gloves during cleaning of the devices.
- Before performing a non-recommended method of cleaning or decontamination, the user must ascertain with IKA® that this method will not destroy the instrument.

Spare parts order

When ordering spare parts, please give:

- Machine type
- Serial number, see type plate
- Software Version (second displayed segment when the device is on)
- Item and designation of the spare part please see www.ika.com.

Repair

Please send instrument in for repair only after it has been cleaned and is free from any materials which may constitute a health hazard.

For this you should request the "Decontamination Clearance Certificate" from IKA®, or use the download printout of it from the IKA® website www.ika.com.

Return the instrument in its original packaging. Storage packaging is not sufficient. Also, please use suitable shipping package materials.

Error Codes (RH digital)

Error code	Cause	Effect	Solution
E3	Temperature inside device is too high	Heating off	- Switch off device and allow to cool down.
E4	Motor or magnetic rods blockage	Heating off Motor off	- Switch off device. <i>- Warning! Only to be carried out by authorized service personnel: Carry out an internal test on the device to check the plug-in connector for the motor.</i>
E11	Break in safety circuit	Heating off	- Plug in contact plug (N). - Plug in contact thermometer/temperature sensor. - Replace faulty connecting cable, plug, or contact thermometer.
E21 E22 E29	Failure in safety circuit test		- Switch off and switch on again after about 1 minute. When fault is indicated again, please contact with IKA ® service. - Set a higher safe temperature limit.
E24	Surface temperature (Temperature of control sensor) of the heating plate is higher than the set safe temperature limit	Heating off	- Switch off device until the surface temperature of the heating plate is lower than the selected safe temperature limit. - Set a higher safe temperature limit.
E25	Heating and switching element monitoring	Heating off	- Switch off device. - Safety temperature limit > 100 °C See also "Functional check of inactivating the safety circuit". <i>- Warning! Only to be carried out by authorized service personnel: Carry out an internal test on the device to check the plug-in connector for the heating element.</i>
E26	Difference between temperature of safety sensor and temperature of control sensor Control temperature > (Safety temperature + 40 K)	Heating off	- Switch off device. <i>- Warning! Only to be carried out by authorized service personnel: Carry out an internal test on the device to check the plug-in connector for the temperature sensor.</i>

If the actions described fail to resolve the fault or another error code is displayed then take one of the following steps:

- Please contact the service department;
- Send the device for repair, including a short description of the fault.

Technical data

Device

Operating Voltage Range - Rated voltage	Vac	230 ± 10% / 115 ± 10% / 100 ± 10%
Frequency	Hz	50 / 60
Power consumption (+10%) max.	W	620
Permissible duration of operation	%	100
Permissible ambient temperature	°C	+5 to +40
Permissible relative humidity	%	80
Protection type acc. DIN EN 60529		IP 21
Protection class		I
Overvoltage category		II
Contamination level		2
Operation at a terrestrial altitude	m	max. 2000
Dimensions (W x D x H)	mm	250 x 160 x 100
Weight	kg	2.8

Motor

Speed range	rpm	0; 100 - 2000
Power consumption	W	20
Setting resolution (digital/basic)	rpm	50/Scale
Speed stability (no load) at rated voltage	%	± 10
	rpm	± 100
	ltr	15

Stirred quantity max.(H₂O)

Heating plate

Dimensions (Ø)	mm	135
Material		stainless steel / enameled white

Heating

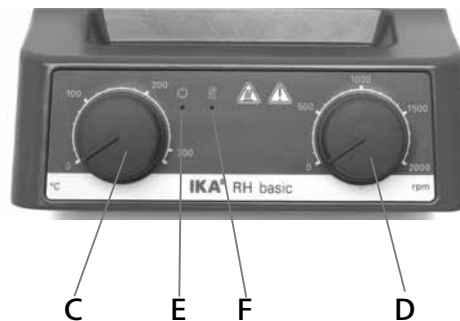
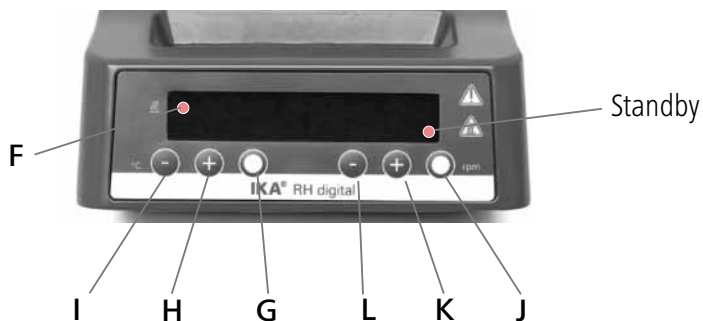
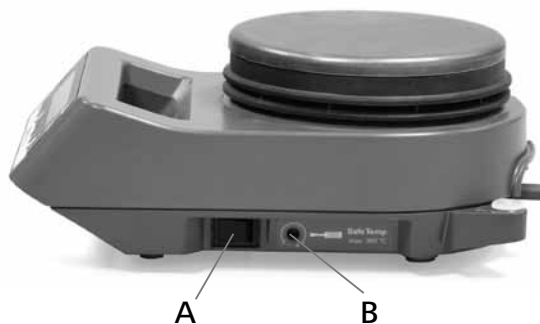
Heating power (-5%/+10%) at rated voltage	W	600
Adjustment and display resolution (digital/basic)	K	5/Scale
Surface temperature	°C	ambient temperature ...320
Hysteresis of heating plate at rated voltage	K	± 20
no container, center of heating plate at 100 °C		
Electronic Thermometer		DIN 12878

Adjustable safety circuit

Safety temperature limit (adjustable)	°C	100 - 360
---------------------------------------	-----------	-----------

	页码		页码
控制元素	09	设定安全温度	13
保修	10	加热功能	13
符号说明	10	通过接触式温度计控制介质温度	13
选配件	10	安装支架	14
安全说明	11	维护与清洁	14
开箱	12	错误代码 (RH digital)	15
正确使用	12	技术参数	15
调试	12		
操作模式	12		
搅拌功能	13		

控制元素



IKA® RH digital

IKA® RH basic

- A 电源开关
- B 安全温度设定螺丝
- F 加热显示
- G 开启/关闭加热功能
- H 升温按键 “+”
- I 降温按键 “-”
- J 开启/关闭搅拌功能
- K 加速按键 “+”
- L 减速按键 “-”
- M 温度计插口
- N 温度计短路接头
- O 电源插口
- P 支杆螺孔
- R 螺纹插口保护盖

- A 电源开关
- B 安全温度设定螺丝
- C 调温旋钮
- D 调速旋钮
- E 电源显示
- F 加热显示
- M 温度计插口
- N 温度计短路接头
- O 电源插口
- P 支杆螺孔
- R 螺纹插口保护盖

保修

根据 IKA® 公司保修规定本机保修 2 年；保修期内如果有任何问题请联络您的供货商，您也可以将仪器附发票和故障说明直接发至我们公司，运费由贵方承担。

保修不包括零件的自然磨损，也不适用于由于过失、不当操作或者未按使用说明书使用和维护引起的损坏。

符号说明



一般危险



危险

该符号所标识的信息**对于操作者的健康和安全至关重要**。违反该符号标识的操作将有可能对您的健康或人身安全造成危害。



警告

该符号所标识的信息**对于保证仪器正常工作非常重要**。违反该符号标识的操作将有可能导致仪器损坏。



注意

该符号所标识的信息**对于确保仪器的有效工作和使用非常重要**。违反该符号标识的操作将有可能导致所处理的结果不准确。



注意

注意 - 注意磁场危险!



危险

危险 - 当心烫手!

选配件

- 磁力搅拌子 见产品目录
- 加热锅 见产品目录
- 加热块系统或加热套反应系统 见产品目录

- RS 1 磁力搅拌子套装
- RSE PTFE-搅拌子移出棒
- H 102.1 防护手柄
- H 16 V 支杆
- H 16.1 延伸支杆
- H 38 固定支杆
- H 44 夹头
- ETS-D 接触式电子温度计
- H 102 保护膜 (RH basic)
- H 103 保护膜 (RH digital)

更多选配件，请见 www.ika.com。

安全说明

- 操作仪器前请认真阅读使用说明并遵守安全操作规范。
- 请妥善保管使用说明以便需要时查阅。

一般信息

- 请确保只有受过相关培训的人员才能操作使用本仪器。
- 请遵守安全规范、人身安全和事故防止等相关规范。
- 电源插座必须接地保护。



注意

- **注意-磁场!**
使用时需考虑磁场对周边环境的影响，如数据存储器、心脏起搏器。



危险

- **小心高温!**
仪器工作时盘面温度最高可达320°C，触摸仪器外壳和盘面时小心烫伤，仪器关闭后，也请注意余热。

只可当仪器处于低温的条件下才可搬运仪器!

仪器设计



危险

- **切勿**在易爆、含危险物质的环境或水下操作使用本仪器。

- 请将仪器放置于平坦、平稳、清洁、防滑、干燥和防火的台面。
- 仪器支脚必须清洁无损。
- 请注意避免仪器电源线触及盘面。
- 每次使用前请检查仪器和配件并确保无损，请勿使用损毁的仪器和配件。

允许介质/污染物/不良反应



警告

- **注意!**
请仅处理着火点高于安全温度值 (100 - 360 °C) 的介质。

仪器安全温度设定值应该至少低于介质着火点 25 °C。



警告

- 注意以下可能产生的危险:

- 易燃物质
- 低沸点可燃物质
- 易碎玻璃容器
- 容器大小不合适
- 溶液过量
- 容器处于不安全状态
- 处理病原体介质时，请使用密闭容器并在合适的通风橱中进行。如有其他任何问题，请联系 IKA® 公司。



危险

- 本仪器仅适用于对处理过程中产生的能量不发生危险反应的介质；同时被处理的物质也不能与其他方式产生的能量反应，如光照。

- 即使没有开启加热功能，由于磁力搅拌子的高速转动，也有可能导致仪器盘面升温。
- 请考虑到任何可能的污染和有害的化学反应。
- 仪器转动部件的磨损产生的碎片有可能接触到所处理的介质。
- 使用PTFE覆膜的磁力搅拌子请注意可能出现下列问题：温度高于300 - 400 °C 时，碱或碱土金属熔融态或者溶液以及元素周期表的第二族及第三族的粉末会跟PTFE 发生化学反应。常温下，只有金属单质氟、三氟化物和碱金属会侵蚀PTFE，卤烷烃会使其膨胀。

实验步骤



警告

- 根据处理介质的种类，在操作仪器时请佩戴合适的防护装置；否则可能出现下列危险：
 - 液体溅出
 - 部件飞出
 - 释放出有毒或者可燃气体
- 出现下列状况时，请降低转速：
 - 由于转速过高导致所处理的介质溅出容器
 - 仪器运转不平稳
 - 容器在工作盘上发生移动

选配件

- 只有使用“选配件”列表中的配件才可确保安全。
- 安装配件前请断开电源。
- 使用任何配件时都须遵守选配件的操作说明。
- 使用温度计(ETS-D...)时，请确保温度探头浸入介质深度至少 20 mm。
- 连接温度计 ETS-D 时，请确保温度探头浸入介质中。
- 使用配件时，必须安装牢固，且在安装完毕后整个系统的重心不能超出系统之外。

电源/关机

- 输入电压必须与仪器铭牌上标示的电压一致。
- 电源插座必须易于使用和操作。
- 只有拔下仪器电源插头才能完全切断电源。

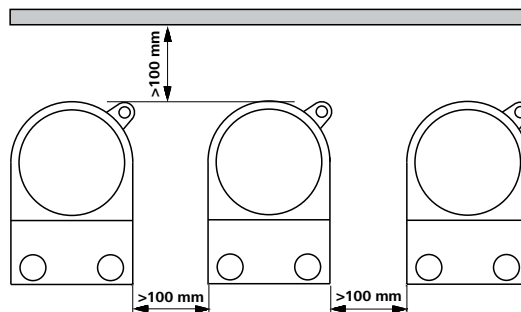


警告

- 在B模式下，电源中断重新供电后仪器会自动重启。(RH digital)

仪器保护

- 只有受过专业培训的维修人员才能打开仪器。
- 使用时，请勿使用外物盖住仪器，否则将会导致仪器过热。
- 确保仪器和配件免受挤压和碰撞。
- 请确保仪器盘面清洁。
- 确保仪器放置间距合理，仪器之间、仪器距离四周墙壁至少100 mm，仪器距离上方至少800 mm。



开箱

• 开箱检查

- 请小心拆除包装并检查仪器
- 如果发现任何破损，请填写破损报告并立即通知货运公司。

• 交货清单

- | | |
|--------------------|----------------------|
| RH basic | RH digital |
| - 加热磁力搅拌器 RH basic | - 加热磁力搅拌器 RH digital |
| - 电源线 | - 电源线 |

- | | |
|-------------------------------|-------------------------------|
| - 使用说明 | - 使用说明 |
| - 调节螺丝刀 | - 调节螺丝刀 |
| - H 102.1 防护手柄 | - H 102.1 防护手柄 |
| - H102 保护膜 (RHb) | - H103 保护膜 (RHd) |
| - 磁力搅拌子：
长度为20, 30 和 40 mm | - 磁力搅拌子：
长度为20, 30 和 40 mm |

正确使用

• 应用

- 仪器可用于搅拌/加热液体介质

• 使用区域（仅可用于室内）

- 实验室 - 学校
- 制药 - 大学

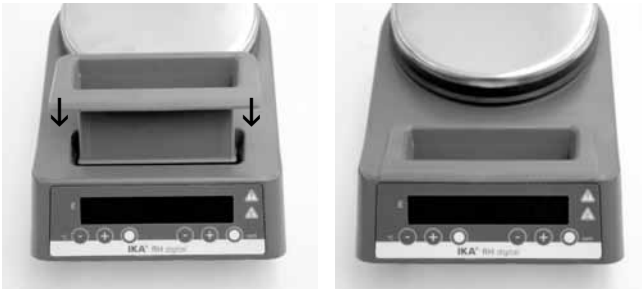
仪器可用于下列之外的所有区域：

- 居民区
- 直接连接于低压供电网络同时提供居民供电区

出现下列情况时我们将无法确保使用者的安全：

- 如果使用了非厂家提供或推荐的选配件
- 如果仪器操作有误或者违反了厂家的操作规范
- 如果仪器或者电路板被第三方非法修改

调试



安装 H 102.1 防护手柄

为安全起见，防护手柄必须安装到位！

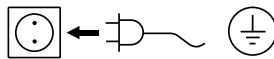
首次加热时可闻到轻微的残留气味，因此，首次使用时请在通风柜下操作！

RH basic

请遵守技术参数表中列的周边环境要求(温度、湿度等)。
请确保温度计短路接头(N)已插入。

开启仪器前，请先逆时针旋转仪器的调温旋钮和调速旋钮至关闭位置。

满足上述条件后，插上电源，仪器即进入待机状态。



若未满足上述条件，则无法确保安全操作且有可能损坏仪器。

按仪器右侧的电源开关(A)可开启或关闭仪器。

使用电源开关(A)开启仪器后，电源显示灯(E)亮起，表示仪器进入待机状态(Standby)。

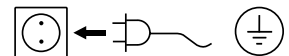
此时可操作仪器。若开启加热功能，加热显示灯(F)会亮起，表示仪器进入待加热状态。

RH digital

请遵守技术参数表中列的周边环境要求(温度、湿度等)。

请确保温度计短路接头(N)已插入。

满足上述条件后，插上电源，仪器即进入待机状态。



若未满足上述条件，则无法确保安全操作且有可能损坏仪器。

按仪器右侧的电源开关(A)可开启或关闭仪器。

开启仪器后，几秒内屏幕将显示所有可显示片段、软件版本、操作模式、目标温度值和转速。

之后，则可操作仪器。

操作模式

RH digital

在 A 模式或者 B 模式下操作仪器。

模式 A

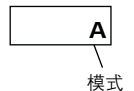
仪器关闭或者断开电源后，所有设置将被存储；开机后加热和搅拌功能处于关闭状态，仪器为待机状态。

模式 B

仪器关闭或者断开电源后，所有设置将被存储；开机后加热和搅拌功能与上次关机前状态一致，可能处于关闭或开启状态。

出厂设置：模式 A

在开机自检时，仪器屏幕显示操作模式。



改变操作模式

- ☞ 关闭仪器电源开关 (A)
- ☞ 按下并按住调温和调速旋钮 (G 和 J)
- ☞ 打开仪器电源开关 (A)
- ☞ 松开调温和调速旋钮 (G 和 J)

① ⇨ 设定的模式将显示在屏幕上

b

搅拌功能

该仪器仅适用长度80 mm以下的搅拌子，搅拌子通过永磁体驱动行驶搅拌功能。永磁体直接附在马达的输出轴上。

一般来说，实际的搅拌转速取决于仪器的负载状况和使用的电源电压。请注意，在允许公差范围内电源电压的波动，以及搅拌过程中处理介质的粘度的变化，同样可导致搅拌转速发生轻微波动。

RH basic

使用调速旋钮(D)设定马达转速。所设定的马达转速接近速度刻度盘上指示的速度值。顺时针旋转调速旋钮(D)至停止位置，可将马达转速调至最大值。

RH digital

按搅拌功能按键(J)可开启搅拌功能。按加速按键(K)或减速按键(L)可设定范围从0至2000 rpm的转速，每步长为50 rpm。所设定的当前速度值将显示在屏幕上，此为仪器运行的搅拌速度。

设定安全温度

通过设定安全温度，加热盘的最大加热温度被限制为360°C。一旦达到限制温度，仪器将会关闭加热功能。



请务必始终将安全温度设定为至少低于处理介质着火点 25°C！

加热盘设定的温度将至少低于安全温度 25°C。
出厂设置：约 360°C



设定安全温度

开启仪器后，使用螺丝刀可调节安全温度(B)。

请勿将设定螺丝拧至超出顺时针或逆时针的停止位置，否则将会损坏电位器至无法维修的地步。

- 使用随机附送的螺丝刀，将“Safe Temp”(安全温度)设定螺丝(B)拧至顺时针停止位置。
- 旋转调温旋钮(C)[RH basic]或按按键(H 或 I) [RH digital]设定目标温度(一般低于安全温度25°C)，等待直至“Heating”(加热)显示灯(F)熄灭。
- 逆时针轻微旋转“Safe Temp”(安全温度)设定螺丝(B)直至仪器加热功能关闭和电源指示灯(E)(RH basic) 闪烁或屏幕显示E24 (RH digital)...
- 顺时针轻微旋转“Safe Temp”(安全温度)设定螺丝(B)。使用电源开关(A)关闭仪器后再重启仪器。此时仪器重新进入待机状态。

加热功能

该磁力搅拌器内置600 W的不锈钢加热盘，由温度控制系统保持盘面温度，并随机配置两温度传感器于加热盘内。

RH basic

使用调温旋钮(C)按相应刻度值设定加热盘温度，可调温度范围为从接近室温至最大320°C。当设定温度值为0时，仪器的加热功能会处于关闭状态。

当仪器的加热功能被激活后，“Heating”(加热)显示灯(F)将会亮起。

RH digital

按按键(G)开启仪器的加热功能。通过按按键(I)或(H)可将加热盘温度设定为 50°C 至 320°C 的值，每步长为 5°C。设定的当前温度值会显示在屏幕上，仪器将会按该值行使加热功能。

通过接触式温度计控制介质温度

推荐使用ETS-D或接触式温度计控制平均温度，其优势在于：设定温度所需升温时间短，无温度漂移，且温度波动微小。

除精确的控温功能外，调节最高温度的功能使得ETS-D还可以作为限温器使用，直接作用于平均温度。当加热温度超过“MAXTEMP”(最高温度)时(如由于RH的控制回路出现故障，或其“Safe Temp”(“安全温度”)或温度设定值出现意外时所致)，ETS-D可立即并永久性地关闭RH的独立回路(加热功能)。

仪器的搅拌功能将按照故障发生前设定的速度继续运行。

六针插口位于仪器尾部，用于安装ETS-D，接触式温度计或者短路子。仪器电路部分的测试电流流经3号及5号针脚，使得加热盘可以加热。

安全型接触式温度计

DIN12878二级或Gerstel标准接口，与三线电缆连接，测试电流通过接触式温度计。

安全功能：

若测试电流由于接触式温度计损坏或电线插头断开而中断，则加热功能关闭。

无安全回路的接触式温度计

DIN12878零级标准接口。仪器唯有通过连接3号及5号针脚使测试电流回路闭合时，才可激活加热功能。

双线连接电缆：

连接仪器插座的3号及5号针脚。

3线连接电缆：

此时接触式温度计的终端头亦可产生测试电流电路(连接2号和3号针脚)。

需选配带桥接器的3线电缆(可选配件)。

设置

设置和限值的具体说明，请见您所连接仪器的使用说明。

可在ETS-D或接触式温度计上调节期望的平均温度。此外，可在ETS-D上设置“MAXTEMP”(最高温度)，即在此设定最高平均温度可用于避免温度计以及RH故障产生危险。可通过调温旋钮或按键选择加热板所需的盘面温度。

用调温旋钮或按键将可调温度调至最高，可实现最快的加热速度，但其平均温度会波动到高于接触式温度计上的目标温度值。用调温旋钮或按键将可调温度调至约为所设定目标温度值的两倍(如设定在接触式温度计上的值为60°C，RH的温度应为120°C)，则可在保证加热速度的同时防止温度过冲。

用调温旋钮或按键将可调温度精确地调为设定目标值，介质温度不会达到设定目标值，因为加热板和介质之间通常会发生热损失现象。

使用“Safe Temp”安全回路调节螺丝调节最高的盘面温度。

安装支架

- 移除螺纹插口保护盖(R)
- 去掉支杆的保护胶帽
- 将垫片放在仪器支杆孔和螺母之间
- 用手将支杆旋入螺孔直到完全到位
- 使用A/f 17扳手再次紧固螺母
- 使用夹头固定其他配件





注意：

对于直径超过180 mm 的容器，仅可使用H 16 V 支杆和H 16.1 延伸支杆。

维护与清洁

本仪器无需特别维护。仪器只会发生备件的自然磨损以及磨损后可能引起偶尔的失效。

清洁

 →  清洁仪器须断开电源！

清洁仪器时请仅用IKA®公司认可的清洁剂。

污物	清洁剂
染料	异丙醇
建筑材料	含活性剂的水溶液/异丙醇
化妆品	含活性剂的水溶液/异丙醇
食品	含活性剂的水溶液
燃料	含活性剂的水溶液

- 清洁时请确保仪器不要受潮。
- 清洁仪器时请佩戴防护手套。
- 当采用其他非IKA®推荐的方法清洁时，请先向IKA®确认清洁方法不会损坏仪器。

订购备件

订购备件时，请提供：

- 机器型号
- 序列号，见铭牌
- 软件版本(打开仪器，屏幕首先显示所有段后将会显示软件版本)
- 备件的名称和编号，详见 www.ika.com

维修

在送检您的仪器之前，请先清洁并确保仪器内无任何对人健康有害的物料残留。

维修时，请向IKA®公司索取“消除污染证明”或从官方网站(www.ika.com)下载打印。

如需维修服务，请使用原包装箱妥善包装后将仪器寄回。如原包装不存在时请采用合适的包装。

错误代码 (RH digital)

错误代码	故障原因	故障影响	校正措施
E3	仪器内部温度过高	加热功能关闭	- 关闭仪器，待其冷却
E4	马达或磁力搅拌子卡死	加热功能关闭 马达关闭	- 关闭仪器 - 注意！只有经授权的维修人员才可打开仪器检测马达电源插头是否工作正常
E11	安全回路中断	加热功能关闭	- 插上温度计短路接头 (N) - 插上接触式温度计/温度传感器 - 更换有故障的连接导线、插头或接触式温度计
E21 E22 E29	安全回路测试故障		- 关闭仪器，约一分钟后再次打开仪器 若故障重现，请联系 IKA® 公司维修部门 - 设定较高的安全温度
E24	盘面温度 (控温传感器温度) 高于设定的安全温度	加热功能关闭	- 关闭仪器直到盘面温度降低至设定的安全温度以下 - 设定较高的安全温度
E25	加热传感元件故障	加热功能关闭	- 关闭仪器 - 设定安全温度值 > 100 °C (参考“安全回路功能检查”) - 注意！只有经授权的维修人员才可打开仪器检测加热元件的插头是否正常工作
E26	安全回路传感器温度与控制温度传感器温度偏差过大 控制温度 > (安全温度 + 40 K)	加热功能关闭	- 关闭仪器 - 注意！只有经授权的维修人员才可打开仪器检测温度传感器的插头是否正常工作

如果上述方法无法排除故障或者出现其他错误代码请采取如下措施：

- 联系 IKA® 公司维修部门；
- 将仪器附故障说明发送至 IKA® 公司检视维修。

技术参数

仪器

操作电压 - 额定电压	Vac	230 ± 10% / 115 ± 10% / 100 ± 10%
频率	Hz	50 / 60
功耗 (+10%) 最大值	W	620
允许工作制	%	100
允许环境温度	°C	+5 - +40
允许相对湿度	%	80
保护等级 DIN EN 60529		IP 21
防护等级		I
过压类别		II
耐污染等级		2
最大可操作海拔高度	m	2000
外观尺寸 (宽度 x 深度 x 高度)	mm	250 x 160 x 100
重量	kg	2.8

马达

转速范围	rpm	0; 100 - 2000
额定输入功率	W	20
设定精度 (digital/basic)	rpm	50/步长
在额定电压且空载情况下的转速偏差		
≥ 500 rpm	%	± 10
< 500 rpm	rpm	± 100
最大搅拌量(水)	ltr	15

加热盘

尺寸 (Ø)	mm	135
材料		不锈钢 / 白色陶瓷

加热

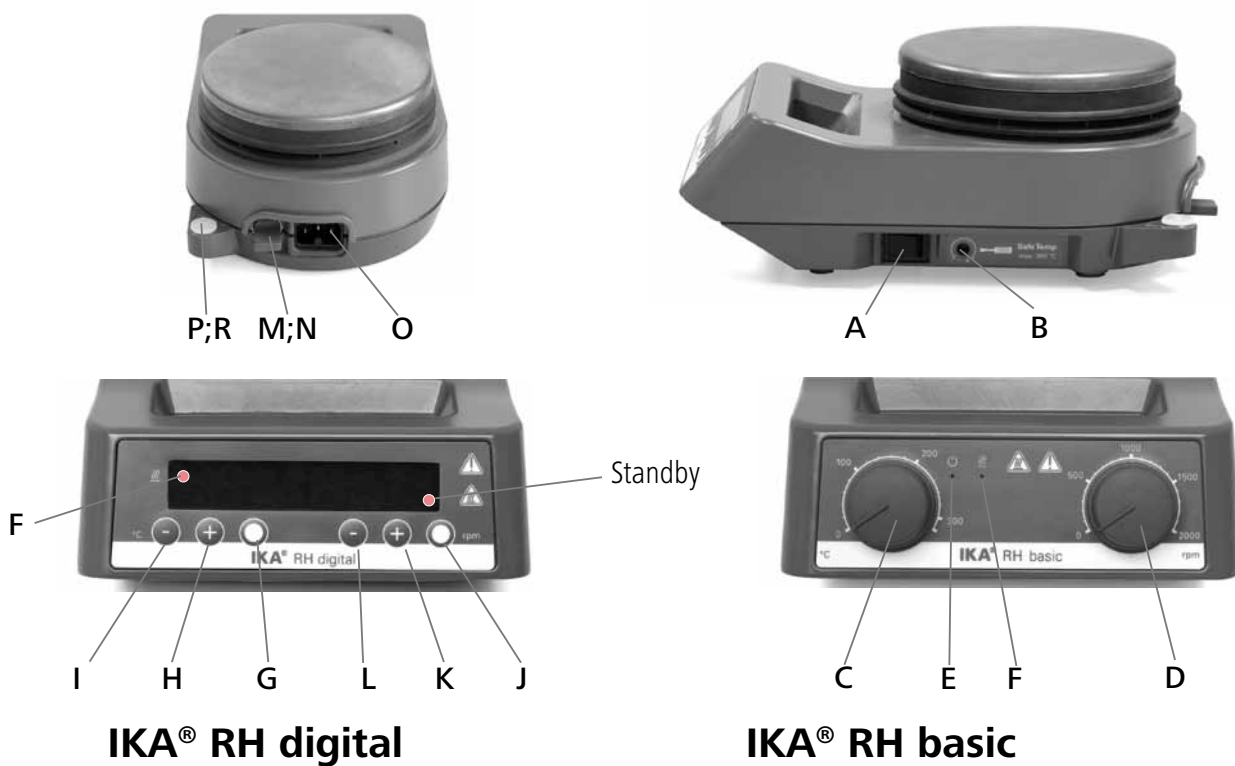
在额定电压下的加热功率 (-5% / +10%)	W	600
调节和显示精度 (digital/basic)	K	5/步长
盘面温度	°C	室温...320
额定电压下加热盘的控制精度	K	± 20
无容器，盘面中心温度为 100 °C		
电子温度计		DIN 12878

可调安全回路

可调安全温度	°C	100 - 360
--------	-----------	-----------

	ページ		
各部名称	16	安全限界温度の設定	20
保証	17	加熱機能	20
警告表示の説明	17	溶液温度コントローラーでの温度制御について	20
アクセサリ	17	サポートロッドの取り付け	21
安全上の指示	18	メンテナンスと清掃	21
開梱	19	エラーコード (RH digital)	22
正しい使用方法	19	技術データ	22
試運転	19		
作業モード	19		
攪拌機能	20		

各部名称



- A メインスイッチ
- B 安全限界温度調節ノブ
- F LED 加熱プレートランプ
- G 加熱オン・オフスイッチ
- H 温度調節ボタン“+”
- I 温度調節ボタン“-”
- J 攪拌オン・オフスイッチ
- K 回転数調節ボタン“+”
- L 回転数調節ボタン“-”
- M 温度コントローラ用接続ジャック
- N 温度センサー接続口プラグ
- O 電源差込口
- P H16V サポートロッド用差込口
- R 差込口プラグ

- A メインスイッチ
- B 安全限界温度調節ノブ
- C 加熱調整ノブ
- D 回転数調整ノブ
- E LED 電源ランプ
- F LED 加熱プレートランプ
- M 温度コントローラ用接続ジャック
- N 温度センサー接続口プラグ
- O 電源差込口
- P H16V サポートロッド用差込口
- R 差込口プラグ

保証

弊社の保証条件に基づく本品の保証期間は 24 ヶ月です。保証期間中に修理のご依頼は、ご購入いただきました販売店までお問い合わせください。弊社工場に直接本機を送付いただく場合は、引渡請求書および修理ご依頼の理由も合わせてお送りください。恐れ入りますが、送料はお客様のご負担となります。

消耗品、お客様が取扱説明書の記載を守らずに使用したことによる故障、十分なお手入れやメンテナンスが実施されていなかったことによる故障は、本保証の適用対象外となりますのでご了承ください。

警告表示の説明



一般的に危険な内容を示します。



危険

この表示は**健康と安全性を守る上で極めて重要な**情報を示しています。この情報を無視して誤った取り扱いをすると健康障害またはけがにつながる恐れがあります。



警告

この表示は**システムが技術的に正常に機能するために重要な**情報を示しています。この表示を無視して誤った取り扱いをすると、装置またはシステム各種部品の破損につながる恐れがあります。



注意

この表示は**装置の操作が効率的に行われていることを確認するため、及び装置を使用するために重要な**情報を示しています。この情報に従うことを怠った場合、ご希望の結果を得られない可能性があります。



注意

注意 磁場の影響には充分注意してください(心臓ペースメーカー、データ記憶装置など)。



危険

危険 スイッチを切っても天板の温度が高温の場合は通知します。

アクセサリー

- ・攪拌子 カタログをご参照ください
- ・バスアタッチメント カタログをご参照ください
- ・周辺アタッチメント カタログをご参照ください

- ・ RS 1 攪拌子セット
- ・ RSE 攪拌子リムーバー
- ・ H 102.1 プロテクションハンドル
- ・ H 16 V サポートロッド
- ・ H 16.1 エクステンション
- ・ H 38 ホールディングロッド
- ・ H 44 ポスヘッド
- ・ ETS-D 溶液温度コントローラ
- ・ H 102 保護カバー (RH basic)
- ・ H 103 保護カバー (RH digital)

詳しくは www.ika.com をご参照ください。

安全上の指示

- ・ご使用前に本取扱説明書を必ず最後までお読みください。また、本取扱説明書に記載の安全上のご注意に従っていただきますようお願いいたします。
- ・本取扱説明書はいつもお手元に届くところに保管してください。

ご自身を保護するために

- ・本機の操作は必ずお取り扱いの心得がある方がご操作ください。
- ・安全指導書やガイドライン、業務安全衛生規定や労働災害防止規定に従ってください。
- ・ソケットは必ず接地してください(保護接地)。

注意

- ・**注意 - 磁気が引き起こす危険要因**
本製品は磁界を帯びますので、磁性の影響を受け易い物(例えば、磁気データ類や心臓ペースメーカー等)の近くではご使用にならないで下さい。

危険

- ・**やけど注意!**
加熱プレートは高温(320℃)になりますので、火傷に気をつけてください。加熱中はもちろん、電源を切った後もしばらくは本体もプレート部も高温になっております。

本機を高温多湿の場所で保管しないで下さい。

機器について

危険

- ・本機を揮発性の伴う環境で運転しないでください。また、有害性物質を使用時の運転、水中での運転もしないでください。

- ・平らで安定した場所であつ清潔で滑らず乾燥した耐火性の広い場所にスタンドをセットアップしてください。
- ・本体の脚はいつもきれいでキズがないようにしてください。
- ・電源ケーブルは熱に弱いので、直接加熱プレートに触れないようにしてください。
- ・毎回使用前に装置本体と付属品に破損がないか確認してください。破損のある部品は使用しないでください。

試料の取扱について

警告

- ・**注意!**
決して発火点となる限界安全温度(100~360℃)より高温で試料を熱しないで下さい。

限界安全温度は、試料の発火点より少なくとも25℃低い温度で設定して下さい。

警告

- ・次のような状況下で作業するのは大変危険です:

- 可燃性の物質
- 低温で沸騰する高引火性の試料
- 強化ガラスでないガラス容器
- 不適切なサイズの容器
- 試料の入れ過ぎ
- 危険な状況での容器の使用等
- ・病原性の試料を処理する場合は、適切なドラフトの下で密閉容器のみを使用し処理してください。ご不明点は、弊社アプリケーションサポートまでお問い合わせください。

危険

- ・攪拌することにより、化学反応を起こす恐れのあるサンプルのご使用はお控え下さい。また、サンプル混合以外の、外的要因によって引き起こされる危険性についてもご考慮願います(例:光照射)。

- ・加熱機能を使ってない時でも、ベースプレートはドライブマグネット高速回転の影響で熱を帯びます。
- ・容器の僅かな残留物によって、意図しない化学反応が起こる可能性がありますので、容器は必ずきれいに拭き取ってからご使用願います。

- ・回転するアクセサリー類の部分によっては磨耗が起こる事もあります。
- ・PTFEコーティングの攪拌子をお使いの場合は、下記の点をご留意下さい。
「PTFEは溶解アルカリ金属やアルカリ土類金属と接触することにより化学反応が起こる。また、300から400℃以上の周期律表2と3族の粉末金属との接触も同様である。フツ化、塩化フツ化、アルカリ金属に弱く、ハロゲン化炭化水素は可逆膨張効果がある。」

(出典: Roempps Chemie-Lexikon and "Ulmann", Volume 19)

作業時における

警告

- ・処理する試料の危険有害性物質カテゴリーにしたがって、個人用保護具を着用してください。着用しない場合、以下のリスクが伴います:

- 液体の飛散
- 部品の飛び出し
- 有害物質、可燃性ガスの発生
- ・以下の場合は速度を落としてください:
- 速度が高速すぎることにより、試料が容器から飛散している場合
- 本機の運転がスムーズでない場合
- 原動力により、本機が動いている場合

アクセサリー

- ・「アクセサリー」の項にあるIKA社純正アクセサリーをお使いの時のみに、安全を保証いたします。
- ・必ず電源を切ってからアクセサリーを脱着してください。
- ・アクセサリーと一緒にお使いの時は、その取扱説明書も合わせてご覧下さい。
- ・外部温度コントローラ(ETS-D等)のセンサー部分は、試料に少なくとも20mmは入れて下さい。
- ・ETS-D 温度センサーをお使いの時は、必ず接続してから試料に入れてください。
- ・アクセサリーは本体にしっかりと取付けて下さい。本体の重心はプレート部にあります。

電源について

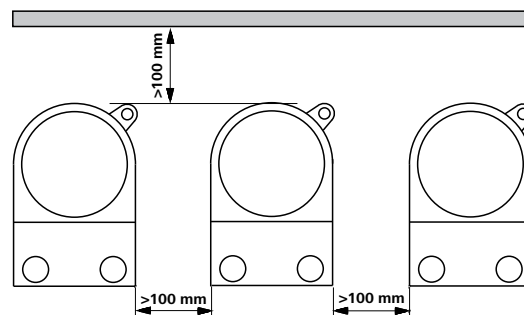
- ・タイププレートに記載の電圧は、主電圧と一致している必要があります。
- ・主電源コードのソケットは、必ず手の届くところに置いてください。
- ・主電源プラグもしくはコネクタープラグを抜いた場合のみ、装置と電源の接続を取り外すことができます。

警告

- ・モードBでは、主電源を切ってもドライブは自動的に再作動します。(RH digital)

製品を保護するために

- ・製品は IKA® の認定した技術者以外の方は分解しないでください。
- ・プレート部を金属プレートやフィルム等でカバーしないで下さい。高温になりすぎてしまいます。
- ・本体部やアクセサリーは衝撃に大変弱いですので、お取扱いにお気をつけ願います。
- ・プレート部はいつもきれいにしてください。
- ・製品を設置する場所は、下図を参考に間隔を保ってください。



開梱

• 開梱

- 開梱の際、お取り扱いに十分ご注意ください。
- 破損が認められる場合は、速やかに詳細をご連絡ください（製品配送業者にご連絡ください）。

• 梱包内容の確認

- 本機
- 電源コード
- 取扱説明書(本書)
- 安全限界温度調節ドライバー - H102.1 プロテクションハンドル
- H102 保護カバー (RHb)
- H103 保護カバー (RHD)
- IKAFLON 20, 30, 40

正しい使用方法

• 用途

- 溶液を攪拌・加熱

• 使用範囲(室内専用)

- 研究/実験室 - 教育施設
- 薬局 - 大学

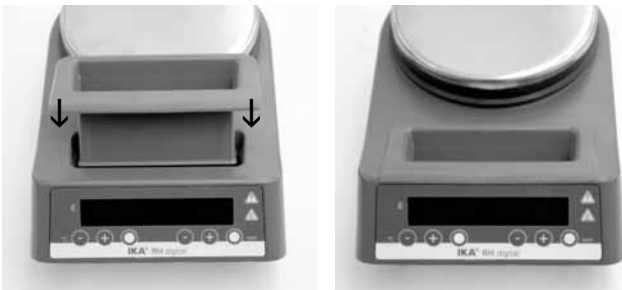
本機は、以下のエリアを除くあらゆる場所での使用に適しています。

- 居住区域
- 居住区域にも供給をされる低電圧電源に直接接続されてい

る区域。

- 以下に該当する場合、使用者の安全性は保証されていません:
 - 製造業者が提供している、または推奨している付属品以外の付属品を使用して本機を使用する場合。
 - 本機が適切な方法で操作されていない場合、または製造業者に仕様に反して使用されている場合。
 - 本機またはプリント基板が第三者によって修正されている場合。

試運転



H102.1プロテクションハンドルの組み立て

プロテクションハンドルの組み立ては安全な場所で行って下さい。

初めての加熱の際には、少し「におい」が本体から発生する場合があります。

初めてご使用の際は、喚起を行うか、ドラフトチャンバー内で作動させる事を推奨致します。

RH basic

機器使用時には、ご使用環境(湿度、温度など)に注意してご使用願います。

必ずプラグ(N)が差し込まれている事をご確認ください。

電源を入れる前に、回転数調整ノブと、温度調節ノブが“0”の位置にあることをご確認ください。

以上の条件を満たしている場合、主電源プラグを差し込めば、装置をご使用いただけます。

長く安全にご使用頂けるように、上記ことを守ってご使用願います。

メインスイッチ(A)は、本機の右側にあります。メインスイッチを入れた後、電源ランプ(E)が点灯すれば、本機をご使用頂けます。

加熱機能は、LEDライト(F)が点灯すれば、ご使用頂けます。

RH digital

機器使用時には、ご使用環境(湿度、温度など)に注意してご使用願います。

必ずプラグ(N)が差し込まれている事をご確認ください。

以上の条件を満たしている場合、主電源プラグを差し込めば、装置をご使用いただけます。

長く安全にご使用頂けるように、上記ことを守ってご使用願います。

本機の電源は、メインスイッチ(A)をご使用下さい。

本機のスイッチを入れて数秒後、ソフトウェアバージョン、作業モード、設定温度、回転数がディスプレイに表示されます。

表示後、本機はご使用頂けます。

作業モード

RH digital

作業モードA・B

モードA

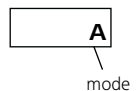
電源コードを抜いても、スイッチを切っても、全ての設定はそのまま保存されています。電源を入れると、攪拌機能と加熱機能はオフ設定となります。

モードB

電源コードを抜いても、スイッチを切っても、全ての設定はそのまま保存されています。電源を入れると、攪拌機能と加熱機能は、前回の使用状況に応じオフかオン設定となります。

初期設定: モードA

スイッチを入れると、ディスプレイに限界設定温度が表示されます。



モードの切替

- ☞ スイッチ(A)をOFFにする。
 - ☞ (G)と(I)のノブ押し続ける。
 - ☞ スイッチ(A)をONにする。
 - ☞ (G)と(I)のノブを押すのをやめる。
- ① → 変更したモードがディスプレイに表示される。

b

攪拌機能

攪拌子は80mm未満のものをご使用下さい。機器内部にある磁石は、モーターと一対になっています。

実回転数は電圧値と負荷によって影響を受けます。その偏差(設定回転数と実回転数の誤差)は電圧値とサンプル粘度変化によってもたらされるため、回転数の偏差が引き起こされる可能性があります。

RH basic

回転数の設定は、ノブ(D)を回して調節出来ます。回転数の値はRPMで表示します。ノブを時計回りに回すと回転数が上がります。

RH digital

攪拌機能をご使用の際は、まず始めに加熱機能スイッチ(J)を押してから回転数の設定を行って下さい。回転数設定は(L)、(K)ボタンで50rpmずつ調節できます。(回転数調節範囲0-2000rpm)。

安全限界温度の設定

天板温度が360℃を超えると自動で電源を切ります。



警告

安全限界温度は、必ず使用の試料の発火点より最低でも25℃低く設定してください。

加熱プレートの温度設定は、限界安全温度より最低でも25℃低く設定する。

初期設定温度: 360℃



安全限界温度の設定

電源を入れて後、安全限界温度を付属の工具を使って調整することが出来ます。調節場所は、本機右側(B)にあります。

故障の原因になりますので、調節ノブが回る範囲内で調節してください。

- 付属のドライバーを用いて、“Safe Temp”の設定を行って下さい。
- 設定温度が、設定した安全限界温度まで到達した時、加熱ランプ(F)が消えます。
- 加熱機能が作動中に、安全限界温度を反時計回りに回し、天板温度が安全限界温度の設定を超えた場合、Er24が表示されます。
- Er 24表示後、安全限界温度設定を高くしてから電源切り、再度電源を入れるとEr表示は消え、ご使用頂けます。

加熱機能

ステンレス天板と共に、600Wのヒーティングプレートが内蔵してあります。

機器内部に内蔵してある、2つの温度センサーと温度制御回路によって温度制御を行っています。

RH basic

天板温度の設定は、温度調節ノブ(C)で行います。温度設定は、室温から320℃まで設定可能です。ノブの位置が“0”の時は、加熱機能は作動しません。

RH digital

加熱機能をご使用する際は、始めに加熱オン・オフスイッチ(G)を押して下さい。温度設定範囲は50~320℃。(I)(H)ボタンで調節出来ます。(5℃単位)

ディスプレイの表示温度は、天板表面の温度です。

溶液温度コントローラーでの温度制御について

温度センサーやETS-D5溶液温度コントローラーを本機に接続すれば、試料温度を直接制御することが可能です。

“MAX-TEMP”機能(最高限界温度)を設定することにより温度制御における安全性を確実なものにします。不慮の要因(制御盤の不良など)で最高限界温度値を超えた場合、別回路で加熱機能を切る設計です。

攪拌機能は設定した回転数で攪拌し続けます。

ETS-D5、付属温度センサーの接続口(A6ピンジャック)は、本機の後側にあります。接続口(3ピン、5ピン)を通して試料温度を本体にフィードバックします。

他メーカー温度センサー接続の安全性

DIN12878クラス2に準拠した安全性。他メーカー温度センサー接続を使用して、試料温度を計測する場合、以下の機能にご留意下さい。

安全機能:

もし、他メーカー温度センサーがきちりと接続されていない場合、温度測定機能や加熱機能は遮断されます。

安全回路無視での他メーカー温度センサー接続

DIN12878クラス0に準拠した安全性。他メーカー温度センサーが接続口(3ピン、5ピン)に接続されている場合、加熱機能が作動します。

2ワイヤーケーブルの場合:

本機後ろにある、接続口(3ピン、5ピン)接続。

3ワイヤーケーブルの場合:

3ワイヤーケーブル使用時は別途、専用アクセサリーが必要です。

設定

接続する機器設定(例えば、溶液温度コントローラーETS-D5)の詳細については、各機器の取扱説明書をご参考下さい。

ETS-D5を通して温度調節が可能です。ETS-D5を接続すれば、溶液温度、アルミブロック温度を設定した温度にコントロールします。天板温度はスターラーの温度調節ノブを回し、加熱させて下さい。

ETS-D5を接続したスターラーの温度設定ノブは必要な温度の2倍、または最大にして下さい。

(例: 溶媒を60℃にしたい場合はスターラーの温度設定は120℃または最大)

もしも、スターラーの設定温度と、ETS-D5の設定温度が同じ場合は希望の溶媒温度には達しません。

スターラーの最高限界温度は、同梱されているスクレイドライバーで調整下さい。

サポートロッドの取り付け

- ・ 差込口のプラグ(R)を外す。
- ・ サポートロッドからプラスチックキャップを取り外します。
- ・ ボディとナットの間にワッシャーを置く。
- ・ 本体にサポートロッドを完全に差し込みます。
- ・ Avf17スパナで、ナットを更に固く締め付けます。
- ・ 40スリーブ ボスヘッドでアクセサリーを固定する。



注:

直径180mm以上のバスアタッチメント使用時のみ、H16.1エクステンションが必要です。

メンテナンスと清掃

基本的にはメンテナンスは要りませんが、スペアパーツ等の消耗・磨耗は避けられません。使用状況によっては故障も起こりうることを御了承下さい。

お手入れ



お手入れの際は必ず電源コードを外してください。

弊社が勧める次のクリーニング剤をお使い下さい。

試料	クリーニング剤
染料	イソプロピル・アルコール
建設材料	界面活性剤/イソプロピル・アルコール
化粧品	界面活性剤/イソプロピル・アルコール
食品	界面活性剤
燃料	界面活性剤

- ・ お手入れ中に、本機の中に水が入らないようにしてください。
- ・ お手入れの際は、必ず保護手袋をはめてください。
- ・ 推奨されているお手入れ/除染方法以外の方法を実施する場合は、必ず実施前に弊社までお問い合わせのうえ、本機の破損につながるおそれがないことを確認してください。

スペアパーツのご注文

スペアパーツをご注文の際は、以下の情報をご連絡ください。

- 機種
- 製造番号(タイププレートに記載されています)
- ソフトウェアのバージョン (電源を入れて数秒後に表示されます。)
- スペアパーツ名と部品番号(スペアパーツ略図およびパーツ一覧は、www.ika.comをご覧ください)

修理

修理をご希望の場合は、必ず本体の汚れを落とし、健康上有害なものとなり得る試料が付着していない状態でご送付ください。ご返送の際に非汚染証明書を機器に同梱頂く必要があります。こちらの書類は、当社までご依頼頂くか、当社のホームページ www.ika.com でダウンロード頂けます。

修理が必要な場合は、元の梱包に入れて返送してください。保管用の梱包は十分ではありません。また、輸送に適した梱包材をご使用いただきますようお願いいたします。

エラーコード (RH digital)

エラーメッセージ	症状	結果	解決法
E3	内部温度が高温になり過ぎている	加熱停止	- 本体電源を切り、冷却させる
E4	モーターの動きが妨害されている、または過負荷がかかっている。	加熱停止 モータ停止	- 本体の電源を切る - 弊社サービスまでお問い合わせください。
E11	安全回路が切れる	加熱停止	- 温度センサー接続プラグ (N) を繋ぐ - 温度センサーを繋ぐ - ケーブル、プラグあるいは温度コントローラが故障なので交換する
E21	安全回路テストの失敗		- 電源を切り、1分後に再度電源を入れる。 エラーが再び表示されたら、弊社サービスまでお問い合わせ下さい
E22			- 安全制限温度の設定値を上げる
E29			
E24	プレートの表面温度 (制御センサーの温度) が設定安全制限温度より高い	加熱停止	- プレートの表面温度が設定安全制限温度より低くなるまで本体の電源を切る - 安全制限温度の設定値を上げる
E25	サーモエレメントの監視	加熱停止	- 本体の電源を切る - 安全制限温度 > 100 °C - 弊社サービスまでお問い合わせください。
E26	安全制限温度センサーと制御センサーの温度差 制御センサーの温度 > (安全制限温度 + 40K)	加熱停止	- 本体の電源を切る - 弊社サービスまでお問い合わせください。

指示通りしてもうまくいかなかったり、上記のエラーメッセージ以外のものが出た場合は、弊社のサービス部までお問い合わせ下さい。

技術データ

ドライブ部

定格電圧での使用電圧範囲	Vac	230 ± 10% / 115 ± 10% / 100 ± 10%
周波数	Hz	50 / 60
最大消費電圧 (±10%)	W	620
許容作動持続時間	%	100
許容周囲温度	°C	+5 - +40
許容周囲湿度	%	80
保護クラス DIN EN 60529		IP 21
保護クラス		I
過電圧カテゴリー		II
汚染レベル		2
使用高度	m	海拔 2000 m まで
寸法	mm	250 x 160 x 100
重量	kg	2.8

モータ部

回転数範囲	rpm	0; 100 - 2000
消費電力	W	20
回転数設定単位 (digital/basic)	rpm	50
回転数の変動 (無負荷、定格電圧で)	%	± 10
	rpm	± 100
	ltr	15

最大攪拌容量(対H₂O)

加熱プレート部

直径 (Ø)	mm	135
材質		ステンレス鋼 / ホワイトエナメル

加熱

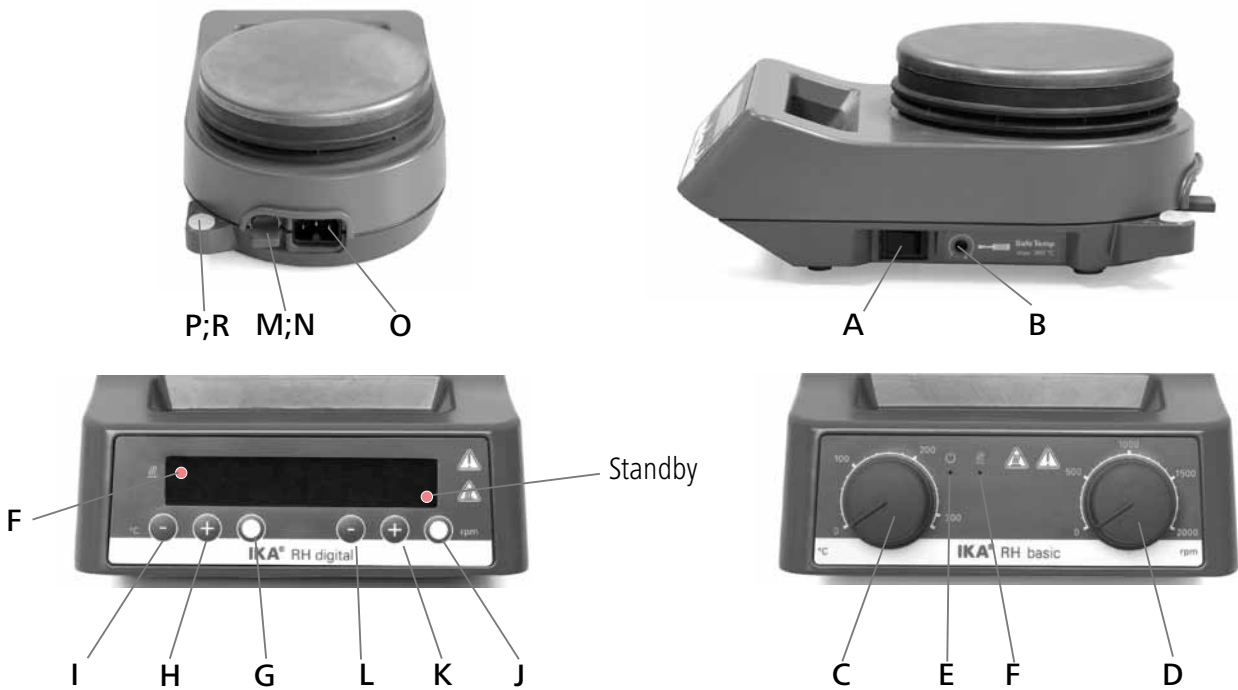
定格電圧での加熱出力 (-5% / +10%)	W	600
温度設定単位 (digital/basic)	K	5
表面温度	°C	室温...320
定格電圧での加熱プレート制御ヒステリシス (容器なし、プレート中心温度100°Cの時)	K	± 20
温度センサー接続基準		DIN 12878

安全回路

無段階可変調整の安全温度	°C	100 - 360
--------------	-----------	-----------

	페이지		페이지
목차	23	교반	27
제어 요소	23	안전 한계온도 설정	27
품질보증	24	가열	27
경고 심볼에 대한 설명	24	외부 온도계를 통한 물질의 한계온도 제어	27
악세사리	24	스탠드 조립 방법	28
안전 지침	25	유지보수 및 세척	28
제품구성 및 주의사항	26	오류코드 (RH digital)	29
올바른 사용법	26	기술데이터	29
시운전	26		
작동모드 설정	26		

제어 요소



IKA® RH digital

IKA® RH basic

- A 메인스위치
- B 안전 한계온도 설정 스크류
- F 가열판의 구동표시를 위한 LED
- G 히터 온/오프 단추
- H 온도 "+" 단추
- I 온도 "-" 단추
- J 모터 온/오프 단추
- K 모터 "+" 단추
- L 모터 "-" 단추
- M 온도계 연결을 위한 소켓
- N 플러그
- O 전원소켓
- P 스탠드 연결을 위한 나사홈
- R 나사 플러그

- A 메인스위치
- B 안전 한계온도 설정 스크류
- C 가열을 위한 회전 노브
- D 모터 회전을 위한 회전노브
- E LED 전원
- F 가열판의 구동표시를 위한 LED
- M 온도계 연결을 위한 소켓
- N 플러그
- O 전원소켓
- P 스탠드 연결을 위한 나사홈
- R 나사 플러그

품질보증

IKA® 품질보증 조건에 따라, 보증 기간은 24 개월 입니다. 보증기간 동안의 기기문제 발생시 가까운 IKA® 의 한국지사 및 대리점에게 연락을 부탁드립니다.

마모된 부품에 대해서는 품질보증에 포함되지 않을 뿐 아니라, 본 사용 설명서 상의 지침 및 설명에 따라 수행되지 않았거나 부적절하게 사용하였을 시 또는 불충분한 관리 및 유지보수에 따른 고장 발생시 적용되지 않습니다.

경고 심볼에 대한 설명



일반적인 위험



위험

이 심볼은 **사람의 건강과 안전에** 치명적으로 중요한 정보를 설명합니다. 이러한 정보를 무시할 경우 건강 장애나 부상을 초래할 수 있습니다.



경고

이 심볼은 **시스템의 기술적으로 올바른 기능을 설명합니다**. 이러한 정보를 무시할 경우 기거나 시스템 부품의 손상을 가져올 수 있습니다.



주의

이 심볼은 **장비를 작동하거나 사용함에 있어 효과적이고 중요한 정보를 설명합니다**. 이러한 정보를 무시할 경우 부정확한 결과를 초래할 수 있습니다.



주의

주의 - 자성 위험을 주의하십시오.



위험

위험 - 뜨거운 표면을 주의하십시오.

악세서리

- 교반봉 카타록을 참조하십시오.
- 수조 관련 첨부파일 카타록을 참조하십시오.
- 합성 관련 첨부파일 카타록을 참조하십시오.
- RS 1 자석 교반 바
- RSE 자석 교반 바 제거 봉
- H 102.1 보호 손잡이
- H 16 V 지지봉
- H 16.1 익스텐션
- H 38 받침대
- H 44 십자형 슬리브
- ETS-D 외부 온도계
- H 102 보호덮개 (RH basic)
- H 103 보호덮개 (RH digital)

www.ika.com 에서 추가 악세서를 참조 바람.

안전 지침

- 기기 구동전에 사용 설명서를 빠짐없이 읽고 안전수칙을 준수 하십시오.
- 모든 사람이 이용할 수 있는 장소에 사용 설명서를 보관 하십시오.

사용자의 안전을 위한 수칙

- 반드시 숙달된 실험자만 기기를 운영하도록 하십시오.
- 안전 수칙, 가이드라인, 근무 위생 및 사고 예방 규정과 안전을 준수하십시오.
- 소켓은 접지되어야 합니다 (보호용 접지 점점).



주의

• 주의 - 자성!

자장의 영향을 고려해야 합니다 (예를 들어, 데이터 저장 매체, 심장 박동 조절기...)



위험

• 화상 위험!

하우징 부품 및 가열판을 만질 때 주의를 기울여야 합니다. 가열판은 320°C를 초과하는 온도에 이를 수 있습니다. 스위치를 끈 후 잔류열에 유의해야 합니다.

장치는 냉각 상태로만 운반 가능합니다!

장치 디자인



위험

• 위험한 물질과 함께 폭발성 환경 또는 물 속에서 장비를 작동시켜서는 안 됩니다.

- 평평하고, 고정되며, 청결하고, 미끄럽지 않는, 건조한 내화성 표면 위 널찍한 구역에 기기를 설치하십시오.
- 기기의 아래 부분의 발판은 청결하고 손상되지 않아야 합니다.
- 주 전원 케이블이 가열판에 닿지 않도록 해야 합니다.
- 기기 및 부대용품을 사용할 때마다 사전에 손상 여부를 점검하십시오. 손상된 부품을 사용하지 마셔야 합니다.

허용 매체 / 오염물질 / 부반응



경고

• 주의!

조절된 안전 한계온도의 설정된 한계 온도 (100-360°C)보다 높은 인화점을 가진 매체는 위험요소를 처리하고 가열합니다.

안전 온도 한계는 항상 사용된 매체의 연소점보다 최소 25°C 낮게 설정되어야 합니다.



경고

• 다음 사항으로 인한 위험에 주의해야 합니다:

- 인화성 물질
- 낮은 끓는 온도를 가진 가연성 매체
- 유리 파손
- 부정확한 용기 크기
- 매체의 과도 충전
- 불안정한 용기 상태
- 병원성 물질을 처리시 후드 안에서 밀폐된 용기를 사용하여 처리합니다. 질문 있으신 분은 IKA® 로 연락하십시오.



위험

• 처리를 통해 생성된 여분의 에너지에 위험하게 반응하지 않을 매체만 처리하십시오. 이는 다른 방식, 이를테면 발광을 통해 생성된 여분의 에너지에도 적용합니다.

- 히터가 작동 중이 아니라도 고회전의 모터속도에서 따라 발생열이 발생하여 가열판이 뜨거워질 수 있습니다.
- 예상되는 모든 오염과 원치 않는 화학반응을 고려하여 기기를 사용하셔야 합니다.
- 회전 부품에서 마모에 따른 미립자 마멸분이 발생하여 물질을 오염시킬 수도 있습니다.
- PTFE 로 코팅되어진 마그네틱 바를 사용할 때, 다음 사항을 주의해야 합니다: PTFE의 화학 반응은 용융 또는 용질

알칼리 금속 및 알칼리토 금속과 접촉하여 발생할 뿐 아니라 300°C - 400°C 의 온도에서 주요 시스템 그룹 2 및 3 에 속하는 금속의 미세 분말과 접촉하여 발생합니다. 다만 불소원소, 클로로트리플루오르화 및 알칼리 금속만이 문제를 발생시키며, 할로겐화 탄화수소는 가역 팽윤 효과를 나타냅니다.

(출처: Rompps Chemie-Lexikon and "Ulmann", 19권)

실험 절차



경고

• 가공할 매체의 위험 범주에 따라 개인용 보호 장비를 착용하십시오. 그렇지 않으면 다음 사항으로 인해 위험이 발생합니다:

- 액체의 분무 및 증발
- 부품의 사출
- 유독성 또는 가연성 가스 방출
- 다음과 같은 경우 속도를 줄이십시오:
 - 너무 높은 속도로 인해 매체가 용기 밖으로 튀어 나가는 경우
 - 기기가 원활하게 작동하지 않는 경우
 - 용기를 기초판 위에 옮기는 경우

악세사리

- 안전 작동은 "악세서리" 페이지에 서술된 부품에 대해서만 보증됩니다.
- 악세사리를 끼우기 전에 항상 플러그를 분리해야 합니다.
- 사용된 부대용품에 대한 사용 설명서를 준수하십시오.
- 외부 온도 센서 (ETS-D...)가 최소 20 mm 의 깊이로 매체에 삽입되도록 하십시오.
- ETS-D 외부 온도 센서는 항상 매체에 삽입되어야 합니다.
- 악세사리는 장치에 단단히 부착되어 있어야 하며 열결된 액세사리는 스스로 분리되지 않도록 해야 합니다. 기기의 무게중심은 기기표면 내부에 위치하고 있으며 내부의 위치를 유지할 수 있도록 해야 합니다.

전원 장치 / 전원 끄기

- 기기에 명시된 전압과 주 전압과 일치해야 합니다.
- 주 전원 코드용 소켓은 쉽게 접속될 수 있어야 합니다.
- 기기는 주 전원 플러그 또는 커넥터 플러그를 뽑는 경우에만 주 전원과 분리될 수 있습니다.

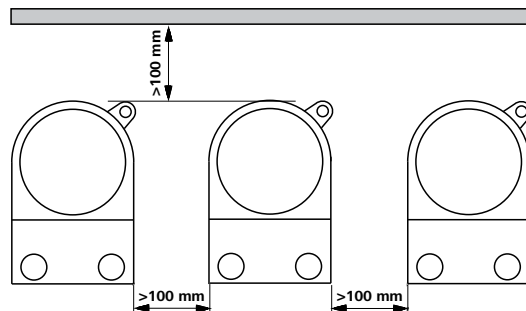


경고

• 장치는 전원 공급이 중단 된 후 모드 B 에서 자동으로 다시 시작합니다. (RH digital)

장비 보호를 위하여

- 기기는 IKA® 의 서비스 부서를 통해서만 수리함을 권장합니다.
- 부분적이라도 예를 들어, 금속성 판금 또는 필름으로 장치를 덮지 마십시오.
- 기기 및 악세사리는 충돌 및 충격에서 보호하십시오.
- 가열판에 청결을 유지하도록 하십시오.
- 장치 사이, 장치와 벽 사이 및 조립품 위의 최소 거리를 준수하십시오 (최소 800 mm).



제품구성 및 주의사항

• 분해

- 주의하여 장치를 해체 하십시오.
- 어떠한 경우로 손상된 경우, 즉시 자세한 내용을 작성 하셔서 보내 주셔야 합니다. (우편, 전화 또는 운송업자).

• 패키지 품목내용

- 가열용 자석 교반기 RH basic 과 RH digital
- 주전원케이블 - 사용설명서
- 나사드라이버 - H 102.1 보호 손잡이
- H102 보호덮개 (RHb) - H103 보호덮개 (RHd)
- 교반봉 20, 30 과 40 mm

올바른 사용법

• 용도

- 액체 혼합 및 가열용

• 사용 범위 (실내에서만 사용)

- 실험실 - 학교
- 약국 - 대학

본 장비는 다음을 제외한 모든 지역에서 사용할 수 있다.
- 주거 지역

- 주거 지역에도 공급하는 저 전압 공급 네트워크에 직접 연결된 지역

사용자 안전을 보장할 수 없는 경우.

- 장비를 제조업체가 공급하거나 권장하지 않은 액세서리와 함께 작동시킬 경우

- 장비를 부적절하게 사용하거나 제조업체의 사양에 반하여 사용할 경우

- 장비나 프린트한 회로판을 제 3자가 변경하였을 경우.

시운전



H 102.1 보호 손잡이의 조립

보호 손잡이는 안전을 위해 제대로 조립해야 합니다!

첫 작동 시 히터의 가열로 인해 약간의 타는 냄새가 발생 할 수 있습니다. 따라서 가능하다면, 첫 작동은 환기가 가능한 후드에서 작업하시는 것을 추천 드립니다.

RH basic

기술 데이터에 명시된 주변 조건 (온도, 습도 등)을 준수해야 합니다.

접촉 플러그(N)가 제대로 연결 되었는지 확인하십시오.

장치를 켜기전에 장치에 있는 두 개의 회전 노브를 돌려서 오프 위치에 놓아야 합니다.

위의 조건을 만족시킬 경우, 장비는 메인 플러그에 삽입한 후 작동할 준비가 된 것이다.

안전한 운용을 보장하고 장치의 파손을 방지하기 위하여 상기한 지시에 따르십시오.

장치를 켜고 끄려면 오른쪽에 있는 메인 스위치 (A)를 사용합니다.

메인 스위치 (A)를 사용하여 장치를 끄면, 전원 LED (E)에 불이 들어 옵니다. 이것은 대기 상태를 말합니다.

이제 장치가 작동할 준비가 되었습니다. 가열 기능이 켜져 있으면, LED (F)에 불이 들어 옵니다. 이것은 가열 공정이 활성화 되어 있음을 말합니다.

RH digital

기술 데이터에 명시된 주변 조건 (온도, 습도 등)을 준수해야 합니다.

접촉 플러그(N)가 제대로 연결 되었는지 확인하십시오.

위의 조건을 만족시킬 경우, 장비는 메인 플러그에 삽입한 후 작동할 준비가 된 것이다.

안전한 운용을 보장하고 장치의 파손을 방지하기 위하여 상기한 지시에 따르십시오.

장치를 켜고 끄려면 오른쪽에 있는 메인 스위치 (A)를 사용합니다.

장치가 켜지고 몇 초 후에 디스플레이에 모든 디스플레이세그먼트, 소프트웨어 버전, 운영 모드, 목표 온도 그리고 속도가 나타납니다.

장치가 이제 작동할 준비가 되었습니다.

작동모드 설정

RH digital

모드 A 또는 모드 B 의 장치 작동방법

모드 A

기기가 꺼지거나 전원이 차단되면 모든 설정이 저장되며, 다시 전원이 공급되면 기기는 OFF상태로 유지됩니다.

모드 B

기기가 꺼지거나 전원이 차단되면 모든 설정이 저장됩니다. 기기의 이전상태에 따라 기기에 전원이 공급되면 교반 및 가열기능이 ON 또는 OFF로 설정됩니다.

공장설정: 모드 A

장치가 작동되면 선택된

모드가 디스플레이에 표시됩니다.

모드변경방법

☞ 기기스위치 (A)를 OFF 위치로 이동시킨다.

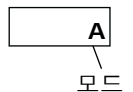
☞ 회전손잡이 (G 및 J)를 계속 누른다.

☞ 기기스위치 (A)를 ON 위치로 이동시킨다.

☞ 회전손잡이 (G 및 J)를 푼다.

① ⇨ 설정값이 디스플레이에 표시된다

b



모드

교반

자석교반 바는 최대 길이는 80 mm 를 넘어서는 안되며, 자석교반 바는 기기내 삽입되어 있는 영구자석을 통하여 구동합니다. 영구자석은 모터의 출력 축에 직접 붙어 있습니다.

실제 속도는 부하와 전압에 따라 달라집니다. 주 접압이 허용 오차 내에서 변동하고 교반 매체의 점도가 프로세스를 기반으로 변동됩니다. 그러면 속도에도 약간의 변화가 발생한다는 것을 유의하시기 바랍니다.

RH basic

모타 속도는 모타(D)용 회전 노브를 사용하여 설정합니다. 속도 설정은 속도 측정기에 나타 나는 rpm 수치와 거의 일치합니다. 회전 노브(D)를 시계방향으로 정지할 때까지 돌리면 모타가 최대 속도로 설정됩니다.

RH digital

단추(J)를 누르면 교반 기능이 시작됩니다. 속도는 단추(L) 또는 (K)를 누르면 50rpm 씩 증가하고 0에서 2000rpm 범위 내에서 설정이 가능합니다. 현재 속도 설정이 디스플레이에 나타납니다. 이 속도는 장치가 작동하고 있는 속도입니다.

안전 한계온도 설정

가열 판의 최대 온도는 360°C 제한 되어 있으나 안전 한계온도의 조절이 가능합니다. 이 한계에 온도가 도달하면 장치는 가열을 멈춥니다.



안전 한계 온도는 항상 사용할 물질의 인화점 보다 최소25°C 낮게 설정되어야 합니다!

가열판을 위한 온도설정은 안전 한계온도보다 최소 25°C 낮게가 열됩니다.

최초 기기설정 값: 약 360°C



안전 한계온도 설정

장치를 켜 후에, 안전 한계온도(B)는 드라이버로 조절할 수 있습니다.

세팅나사를 시계방향이나 시계 반대 방향으로 정지하는 지점 이상으로 돌려서는 안됩니다. 정지 지점 이상으로 돌리면 분압기가 도리킬 수 없을 정도로 손상됩니다.

- 공급된 드라이버로 안전 온도 세팅나사(B)를 시계방향으로 정지할 때 까지 돌립니다.
- 온도 회전 노브(C) 또는 단추 (H 또는 I) [RH 디지털]를 사용하여 목표 온도를 원하는 안전 온도로 설정하고, “안전 온도”에 도달할 때 까지 기다립니다. 이 지점에서 “가열” LED(F)는 꺼집니다.
- “안전 온도” 세팅나사(B)를 시계 반대 방향으로 가열 기능이 꺼질 때까지 천천히 돌립니다. 그러면 표시등(E) (RH basic) 가 깜빡이거나 디스플레이에 E24 (RH digital)가 나타납니다.
- 그 다음, “안전 온도” 세팅나사(B)를 시계방향으로 약간 돌립니다.
메인 스위치 판(A)에서 장치를 켜다가 다시 켕니다. 그러면 장치가 작동할 준비가 되는 것입니다.

가열

장치에는 표면이 스텐레스로 된 600 W 불박이 가열판이 있습니다. 이 가열 판은 제어 회로에 의하여 일정한 온도로 유지됩니다. 가열 판에는 두 개의 온도 감지기가 장착되어 있습니다.

RH basic

가열 판은 관련된 눈금이 있는 온도 회전 노브(C)를 사용하여 설정합니다. 눈금 수치는 대략적인 실온에서 최대 320°C 까지의 범위입니다. 0 도에 설정하면 장치의 가열은 켜지지 않습니다. 가열 기능이 활성화되면 “가열” LED (F)에 불이 들어 옵니다.

RH digital

단추 (G)를 누르면 가열 기능이 시동됩니다. 가열 판 온도는 단추 (I) 또는 (H)를 누르면 섭씨 5°C 도씩 증가하며, 50°C 에서 320°C 까지의 범위 내에서 설정됩니다. 현재 온도 설정이 디스플레이에 나타내며, 장치가 이 온도에서 작동합니다.

외부 온도계를 통한 물질의 한계온도 제어

평균 온도제어를 위한 바람직한 방법은 ETS-D 또는 외부 온도계를 이용하는 것 입니다. 설정온도를 설정 후, 물질은 온도 대류현상이 없이 경미한 온도 편차만을 가지고 빠르게 설정온도에 도달합니다.

정확한 제어 기능 외에 조절 가능한 “MAXTEMP” 기능은 ETS-D가 물질의 평균 온도에 직접적인 영향을 미치는 온도제어를 하게 됩니다. 예를 들어, 불 이의 RH 대한 제어회로 또는 “Safe Temp” 의 설정점 온도의 결합으로 인하여 “MAXTEMP” 과초가 되면 즉각 적으로 ETS-D는 RH 의 각 회로의 전원을 차단 합니다.

그이후, 교반기능은기능불량전에설정된속도로계속이어집니다.

6핀잭은 ETS-D, 점점 온도계 또는 점점 플러그연결을 위해 기계의 뒤쪽에 위치합니다. 계기의 전자장치는 가열판을 데우기 위한 커넥터핀 3과 5를 통해 흐르는 시험전류를 돌려보냅니다.

안전 점점 온도계

DIN 12 878 등급 2 또는 3 선 케이블과 연결된 가스틸에 따라, 시험전류는 외부온도계를 통해 흐릅니다.

안전기능:

예를 들어, 점점 온도계의 파손 또는 케이블 플러그의 헐거워짐으로 인해, 시험 전류가 중단되면, 가열은 차단됩니다.

안전회로 없는 외부온도계

DIN 12 878 등급 0 에따라, 계기는 플러그핀 3과 5의 전기적 연결에 의해 시험전류가 폐쇄되면 뜨거워집니다.

2 선연결케이블

계기 플러그의 플러그핀 3과 5를연결합니다.

3 선 연결케이블

이제 시험 전류회로 또한 점점온도계의 단자헤드에 생성될 수 있습니다 (플러그핀 2와 3을연결합니다).

필요한 브리지가 있는 3선케이블을사용할수있습니다 (악세서리).

설정

설정 및 한계값에 대한 세부지침은 연결기계의 사용설명서를 참조 하십시오.

ETS-D 또는 외부온도계의 이용으로 정확한 평균온도를 조정할 수 있습니다. 뿐만 아니라, ETS-D를 위한 “MAXTEMP” 가 설정될 수 있습니다. 바꾸어 말하면, RH 와 함께 기능 불량에 대한 최대평균 온도가 설정될 수 있습니다. 가열판의 필수 표면온도는 온도 손잡이나 버튼 다이얼로 선택될 수 있습니다.

예를 들어, 온도 손잡이나 버튼다이얼을 이용하여 최대온도로 설정하면 빠르게 가열, 최대온도 또는 설정온도에 도달하지만, 평균온도는 외부온도계에 대한 설정 온도보다 높은 값으로 변동을 보일 수 도 있다. 설정점 값을 대략 두배로 온도 손잡이나 버튼다이얼을 조정함으로써 (따라서 60°C의 설정온도로 장치 의 온도 다이얼은 120°C 로 설정될 것입니다), 신속한 가열시간 과 설정온도 초과 시간 사이의 적당한 위치에 도달할 것입니다.

최대 가열판 온도는 “Safe Temp” 나사로 조절될 수 있습니다.

스탠드 조립 방법

- 나사 플러그 (R) 를 제거합니다.
- 지지봉에서 보호 마개를 제거합니다.
- 하우징과 너트 사이에 와셔를 넣습니다.
- 최종 정지점에 도달할 때까지 장치 위에 지지봉을 나사로 고정시킵니다.
- 너트를 단단히 조이기 위해 A/f 17 스패너를 사용합니다.
- 십자형 슬리브를 사용하여 부대용품을 부착해야 합니다.



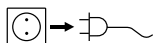
주:

∅ 180mm보다 큰 직경을 가진 용기 부착을 위해 연장봉 H16.1와 지지봉 H 16v 만 사용하십시오

유지보수 및 세척

본 제품은 유지 보수할 필요가 없는 장비이다. 이는 부품의 자연적인 마모나 손상과 통계학적 실패율을 조건으로 한 것이다.

청소

 세척을 위해 메인플러그를 뺀다.

IKA® 장비를 청소하기 위해 **IKA®**가 승인한 청소 용제만을 사용해야 한다.

면지	청소 용제
염료	이소프로필 알코올
건설 자재	물을 포함한 계면 활성제/ 이소프로필 알코올
화장품	물을 포함한 계면 활성제/ 이소프로필 알코올
음식물	물을 포함한 계면 활성제
연료	물을 포함한 계면 활성제

- 세척시, 기기에습기가들어가는것을주의하셔야합니다.
- 장치세척시, 보호장갑을착용하십시오.

- 여기에서 권장하는 방법과 다른 세척이나 오염 제거방법을 사용하기 전에 **IKA®** 의 한국지사 와 상의하십시오.

예비 부품 주문

예비 부품을 주문할 경우, 다음의 정보를 알려야 한다.

- 기기 종류
- 제조번호, 명판참조
- 소프트웨어 버전 (장치를 켜었을 때의 2차로 나타나는 수치)
- 예비품 품목번호 및 명칭, www.ika.com 참조

수리

장비를 돌려 보낼 때에는 반드시 청소한 후에 건강에 위험을 가져올 수도 있는 모든 물질을 제거한 후에 돌려보내야 한다.

이를 위하여 “오염제거 신고증명서” 를 **IKA®**에 요청하거나 **IKA®**홈페이지(www.ika.com)로부터 다운로드 출력을 사용하여 그 증명서를 다운 받아야 합니다.

서비스를 요청할 경우, 장비를 원래 상태로 포장하여 돌려보내야 한다. 보관용 포장은 충분하지 않으므로 적절한 운송용 포장을 사용할 것.

오류코드 (RH digital)

오류 코드	원인	영향	해결책
E3	너무 높은 장치 내 온도	열 발산	- 장치를 끄고 식힌다
E4	모터 또는 자석 봉 차단	열 발산 모터가 꺼진다	- 장치를 끈다 - 경고! IKA®공인 서비스만 수행: 모터용 플러그인 커넥터를 점검하기 위해 장치에대한 내부 시험 수행
E11	안전 회로 고장	열 발산	- 접점 플러그 (N)에 전원 연결 - 외부 온도계/온도 센서에 전원 연결 - 고장 난 연결 케이블, 플러그 또는 외부 온도계 교체
E21 E22 E29	안전 회로 테스트 실패		- 껏다가 약 1분 후에 다시 켭니다. 고장이 다시 나타날 때는 I IKA®의 애프터 서비스 부서에 연락하십시오 - 보다 높은 안전 온도 한계 설정
E24	표면 온도 (제어 센서 온도): 설정된 안전온도 한계보다 높은 가열판의 표면 온도	열 발산	- 가열판의 표면 온도가 선택된 안전 온도 한계보다 낮아질 때까지 장치를 끈다 - 보다 높은 안전 온도 한계 설정
E25	가열 및 스위칭 소자 모니터링	열 발산	- 장치를 끈다 - 안전 온도 한계 설정 > 100 °C “안전 회로 비작동에 대한 기능적 점검 “ 또한 참조 - 경고! 공인 서비스 요원만 수행: 발열체용 플러그인 커넥터를 점검하기 위해 장치에 대한 내부 시험 수행
E26	안전 센서 온도와 제어 센서 온도 간 차이 제어온도 >(안전 온도+40K)	열 발산	- 장치를 끈다 - 경고! IKA® 공인 서비스만 수행: 온도 센서용 플러그인 커넥터를 점검하기 위해 장치에 대한 내부 시험 수행

만약 서술된 조치가 표시된 고장이나 다른 오류 코드를 해결하지 못하면, 다음 조치 중 한 가지를 취해야 합니다:

- IKA® 서비스 부서에 연락,
- 고장에 대한 간단한 설명을 포함한 수리할 장치를 발송합니다.

기술데이터

장치

작동전압범위 - 공칭전압	Vac	230 ± 10% / 115 ± 10% / 100 ± 10%
주파수	Hz	50 / 60
에서 최대전력 소모량 (±10%)	W	620
허용작동주기	%	100
허용주위온도	°C	+5 - +40
허용상대습도	%	80
DIN EN 60529 에 따른 보호타입		IP 21
보호등급		I
과전압 범주		II
오염레벨		2
대지 고도에서 작동	m	최대 2000
치수 (W x D x H)	mm	250 x 160 x 100
무게	kg	2.8

모터

속도범위	rpm	0; 100 - 2000
전력 소모량	W	20
설정해상도 (digital/basic)	rpm	50
속도변동률 (에서 무부하, 공칭전압)		
	%	± 10
	rpm	± 100
최대 교반량 (H ₂ O)	ltr	15

기초판

치수 (Ø)	mm	135
재료		스테인리스 강 / 흰색 에나멜

가열

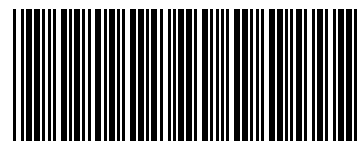
공칭전압에서 가열전력 (-5%/+10%)	W	600
해상도 조절 및 표시 (digital/basic)	K	5
표면온도	°C	주위온도...320
100°C에서 용기가 없는, 가열판의 중심 이력현상 제어	K	± 20
전자 온도계		DIN 12878

조절가능안전회로

안전온도한계 (조절가능)	°C	100 - 360
---------------	-----------	-----------

IKA® - Werke
GmbH & Co.KG
Janke & Kunkel-Str. 10
D-79219 Staufen
Tel. +49 7633 831-0
Fax +49 7633 831-98
sales@ika.de

www.ika.com



4401500B